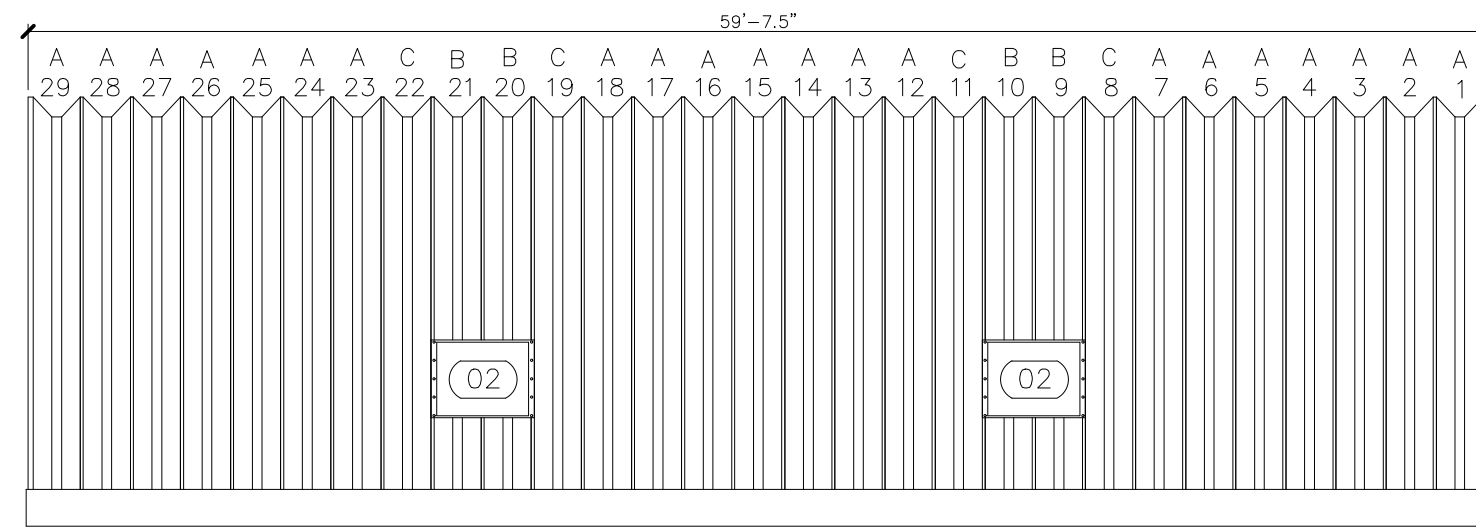
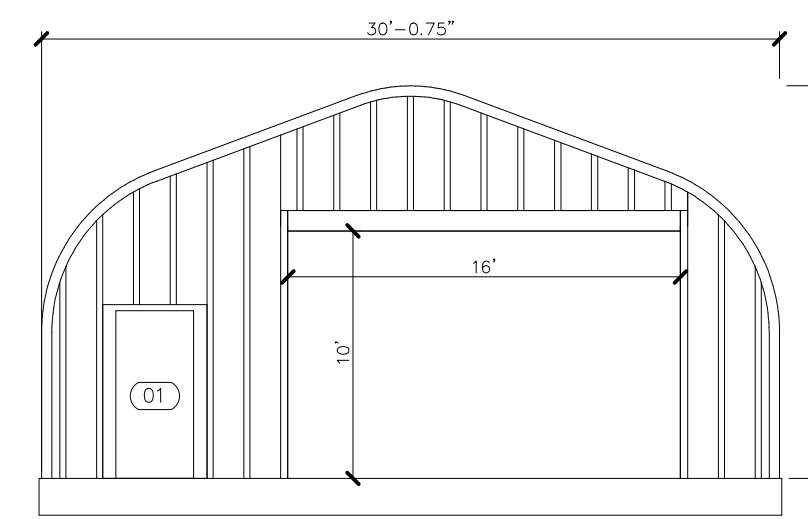


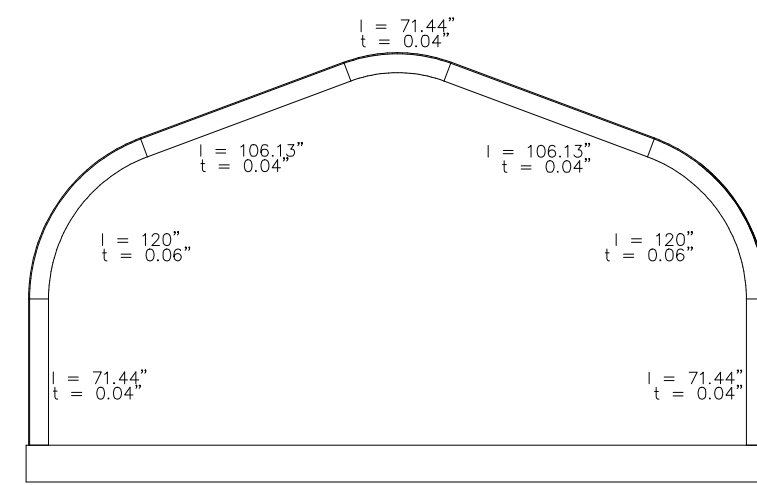
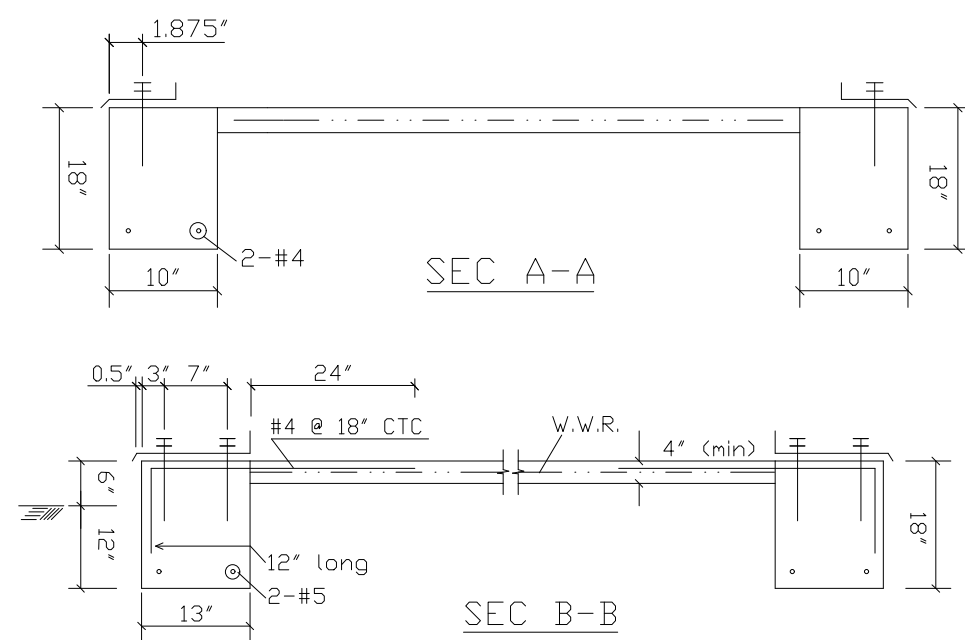
REAR ELEVATION  
OVERHEAD DOOR TO BE DESIGNED AND SUPPLIED BY OTHERS



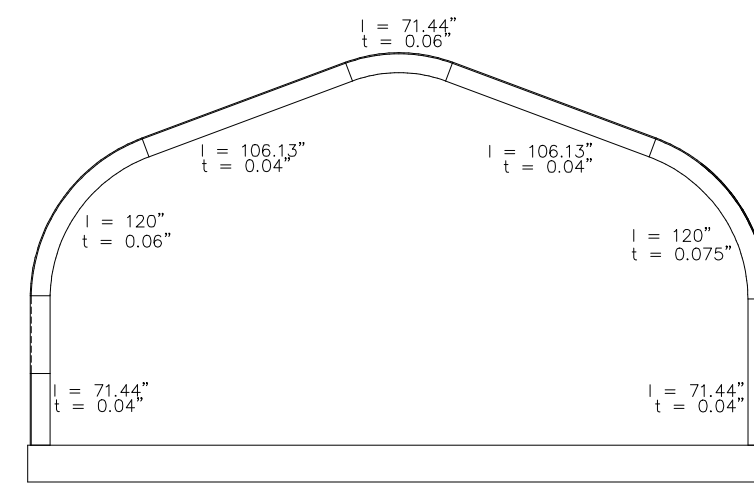
LEFT SIDE ELEVATION



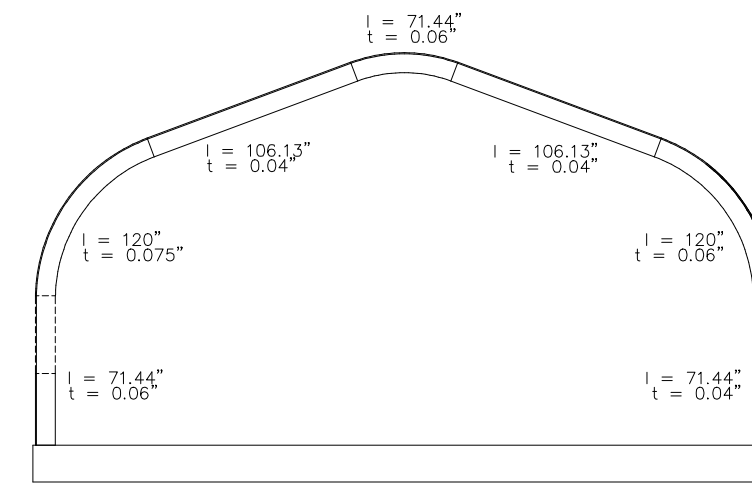
FRONT ELEVATION  
OVERHEAD DOOR TO BE DESIGNED AND SUPPLIED BY OTHERS



ARCH PROFILE "A" (21 ARCHES)



ARCH PROFILE "B" (4 ARCHES)



ARCH PROFILE "C" (4 ARCHES)

WARNING: DO NOT REMOVE OR REDUCE THE CONCRETE FLOOR OR THE REINFORCING STEEL, AND/OR RAISE THE TOPS OF THE FOOTERS ABOVE THE FLOOR OR BUILDING FAILURE MAY RESULT

- Minimum Concrete Cover:
- (a) Concrete Cast against earth: 3"
  - (b) Concrete exposed to earth or weather: No. 6 through No. 10 bars: 2"  
No. 5 bar and smaller: 1.5"
  - (c) Concrete not exposed to earth or weather: 0.75"

DOOR SCHEDULE	
01	3'W X 7'H
PANELS FOR DOOR ADAPTOR TO BE FIELD CUT ON SITE BY OTHERS.	

WINDOW SCHEDULE		WINDOW SILL
02	45"W X 36"H	T.B.D
WINDOW OPENINGS TO BE LOCATED AND FIELD CUT ON SITE BY OTHERS.		

GENERAL NOTES

- ALL MATERIAL AND WORKMANSHIP SHALL CONFORM WITH THE REQUIREMENTS OF THE LATEST REVISION OF THE NATIONAL BUILDING CODE OF CANADA 2020 & CBC 2024. DESIGN ACCORDING TO CSA STANDARD CAN/CSA S136-16 NORTH AMERICAN SPECIFICATION FOR THE DESIGN OF COLD FORMED STEEL STRUCTURAL MEMBERS (APPENDIX B).
- NO LOADS OTHER THAN THOSE GIVEN UNDER "DESIGN DATA" BELOW SHALL BE IMPOSED ON THE "STRUCTURE"
- SPECIFIC NOTES AND DETAILS SHOWN ON THE DRAWINGS SHALL TAKE PRECEDENCE OVER THE BUILDING MANUAL SUPPLIED.
- THE BUILDING, INCLUDING THE FOUNDATION, MUST BE CONSTRUCTED IN STRICT ACCORDANCE WITH THE DRAWING AND ERECTION INSTRUCTIONS. ANY DEVIATION, UNLESS APPROVED BY US IN WRITING, SHALL NULLIFY OUR CERTIFICATE AND SEAL AND SHALL BE THE SOLE RESPONSIBILITY OF THE ERECTOR.
- A PROFESSIONAL ENGINEER SHOULD BE RETAINED WHERE SITE INSPECTIONS ARE WARRANTED.
- NO ARCH PANEL MAY BE CUT OR MODIFIED UNLESS IT IS TO ACCOMMODATE AN ACCESSORY PROVIDED BY THE MANUFACTURER IN ACCORDANCE WITH ITS INSTRUCTIONS AND/OR THIS DRAWING.
- MINIMUM SEPARATION FROM THIS BUILDING TO ANY TALLER BUILDING MUST BE THE SMALLER OF 20 FEET AND 6 TIMES THE HEIGHT DIFFERENCE.
- IF SEALED BY AN ENGINEER, THIS DRAWING IS FOR PERMIT APPLICATION. OTHERWISE IT IS A DRAFT AND NOT FOR CONSTRUCTION.

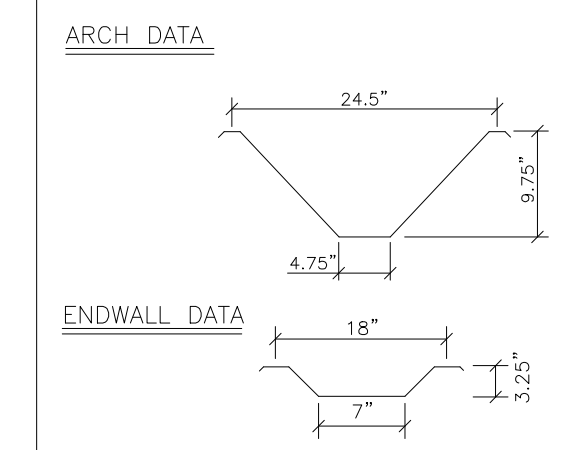
FOUNDATION NOTES

NOTE: THE FOUNDATION ON THE DRAWING SPECIFIES THE MINIMUM REQUIREMENTS. LOCAL BUILDING CODE AND SITE CONDITIONS MAY REQUIRE A STRONGER FOUNDATION, WHICH MUST BE DESIGNED BY A LOCAL ENGINEER.

- THE FOUNDATION SHALL BE FOUNDED ON NATURAL UNDISTURBED SOIL CAPABLE OF SAFELY SUSTAINING 75 KPa. THIS SHALL BE DESIGNED TO FULLY RESIST ALL ROTATION AT THE BASE OF THE ARCH.
- SLAB ON GRADE SHALL BE PLACED ON WELL COMPACTED SOIL CAPABLE OF SUSTAINING 75 KPa WITHOUT APPRECIABLE SETTLEMENT.

DESIGN DATA (MATERIALS)

- CONCRETE  $f'_c = 25$  MPa @ 28 DAYS, CSA A23.3
- REINFORCING STEEL GRADE 400,  $F_y = 400$  MPa, ASTM A615
- W.W.R.  $F_y = 450$  MPa, ASTM A185
- W.W.R. 152x152 - MW9MM9.



BOLTS: SAE GRADE 2 OR ASTM A307  
ARCH STEEL THICKNESS - SEE ARCH PROFILE  
ENDWALL STEEL THICKNESS = 0.76 mm

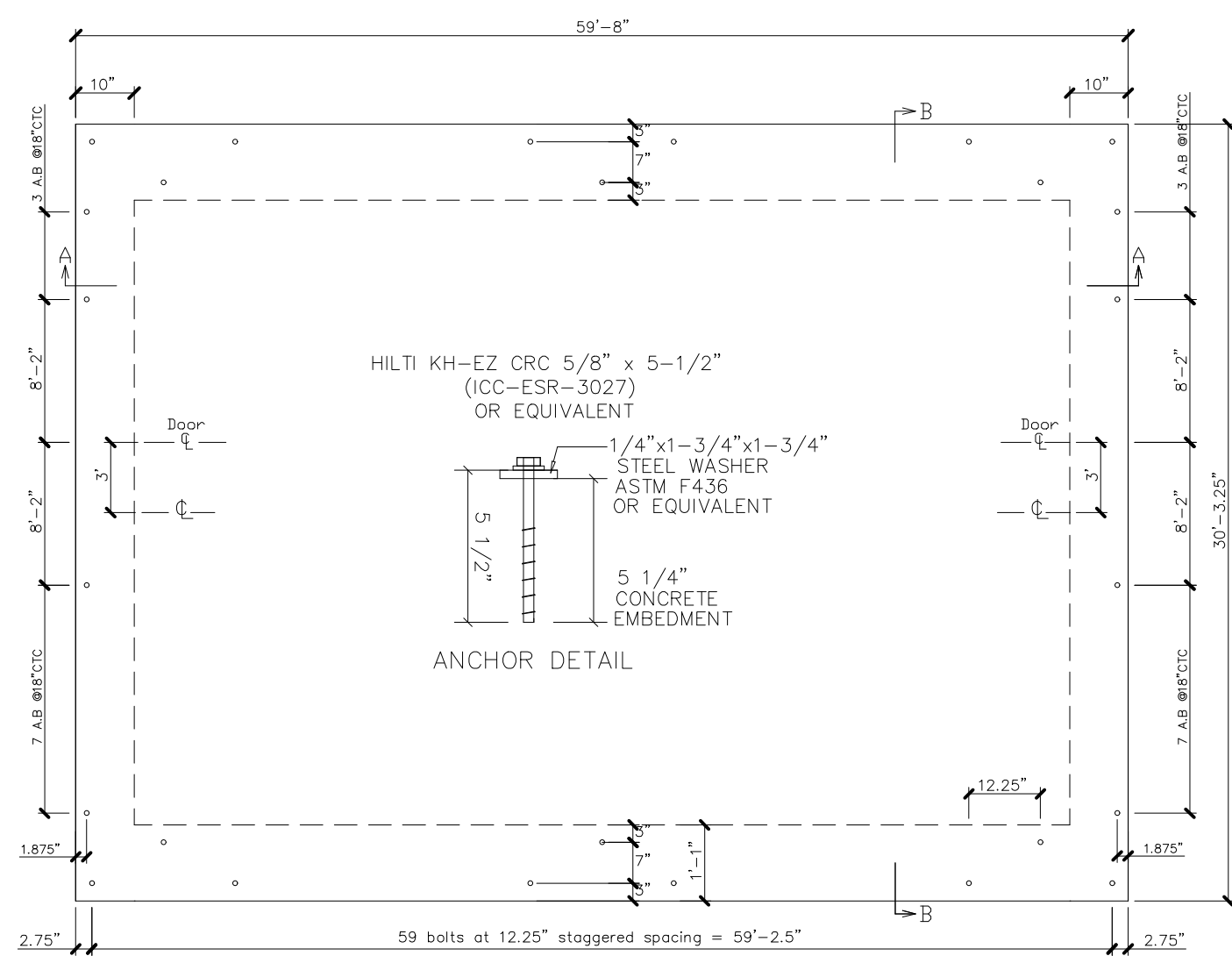
GALVALUME SHEET STEEL  
STRUCTURAL QUALITY ASTM SPECIFICATION A792M  
55% ALUMINUM-ZINC ALLOY-COATED BY THE HOT-DIP PROCESS  
345 MPa MINIMUM YIELD  
450 MPa MINIMUM TENSILE  
HSS SECTIONS SHALL CONFORM TO:  
ASTM A500 GRADE C ( $F_y = 345$  MPa)  
W SECTIONS SHALL CONFORM TO:  
ASTM A992 GRADE 50 ( $F_y = 345$  MPa)  
OTHER SECTIONS SHALL CONFORM TO:  
ASTM A36 ( $F_y = 250$  MPa)

ARCH DESIGN DATA IN ACCORDANCE WITH NBC 2020:

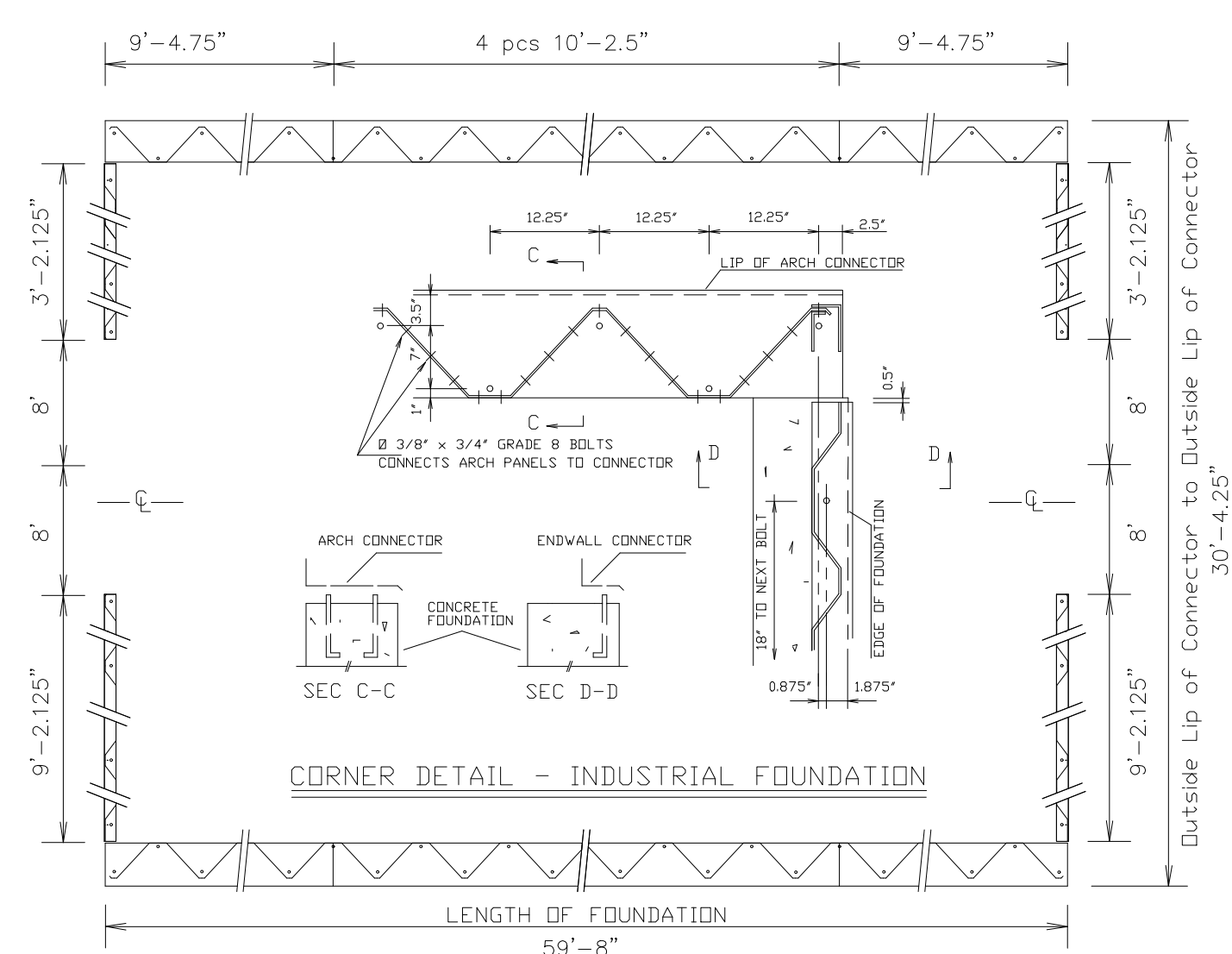
- L: ROOF LIVE LOAD (kPa) = 1
- Ss: GROUND SNOW (kPa) = 2.80
- Cs: ROOF SNOW FACTOR = 0.80
- Cw: WIND EXPOSURE FACTOR = 1.0
- Cs: MAX. SLOPE FACTOR = 1.0
- Sr: RAIN LOAD (kPa) = 0.40
- IMPORTANCE FACTOR (SNOW) = 0.8
- p: WIND EXTERNAL PRESSURE (kPa) = 0.44
- q: VELOCITY PRESSURE (1/50) (kPa) = 0.35
- Ce: EXPOSURE FACTOR = 0.9
- Cg: GUST EFFECT FACTOR = 2.0
- So(0.2): SPECTRAL RESPONSE ACCELERATION = 0.259
- So(0.5): SPECTRAL RESPONSE ACCELERATION = 0.159

LEGAL NOTE

This drawing is the property of Future Steel Buildings Intl. Corp. Any duplication of this drawing in whole or in part is strictly forbidden. Anyone doing so will be prosecuted under the full extent of the law.



FOUNDATION PLAN



INDUSTRIAL CONNECTOR LAYOUT



Future Steel Buildings Intl. Corp.	
220 Chrysler Drive, Brampton, Ontario, Canada, L6S 6B6, Phone: (905) 790-8500	
N.T.S.	A.G.H.T.H.
SCALE: 12/16/2025	APPROVED BY: N.M.
DATE: 12/16/2025	CHECKED BY:
PROJECT: Kinmount Lee	Project: Kinmount, ON
MODEL: XA30-16	DWG: 25-1113